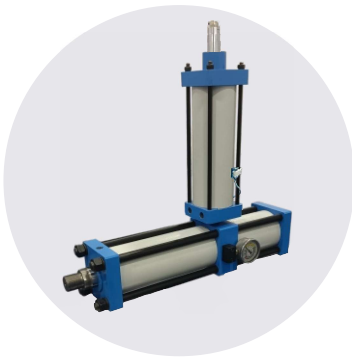


**MERCURY**

Leadership through innovation

Hydro Pneumatic Cylinders For “PET” Blow Moulding Machines Series ‘XA’



HORIZONTAL MOUNTING- TOP
(HMT)

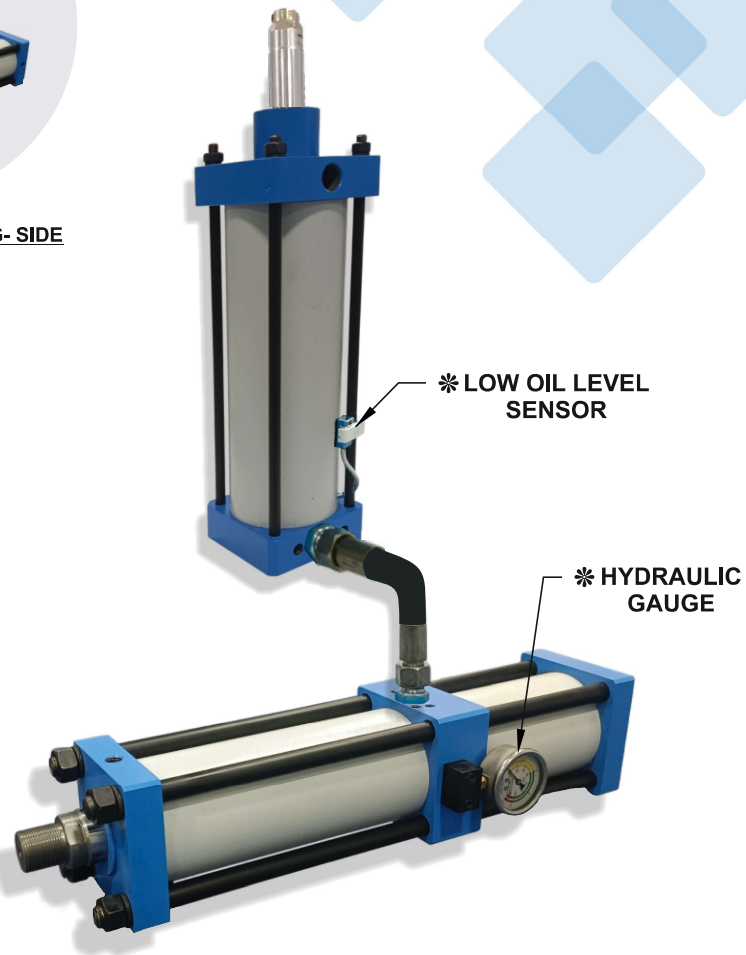


HORIZONTAL MOUNTING- SIDE
(HMS)

Salient Features

- Higher Approach & Return Speeds
- Compact & Lightweight
- Hard Anodized Reservoir Barrel
- Low Oil Level Sensing
- Energy Efficient
- Low Maintenance Cost
- Front or Rear Mounting Options
- 360° Reservoir Mounting Provision

* Optional Feature

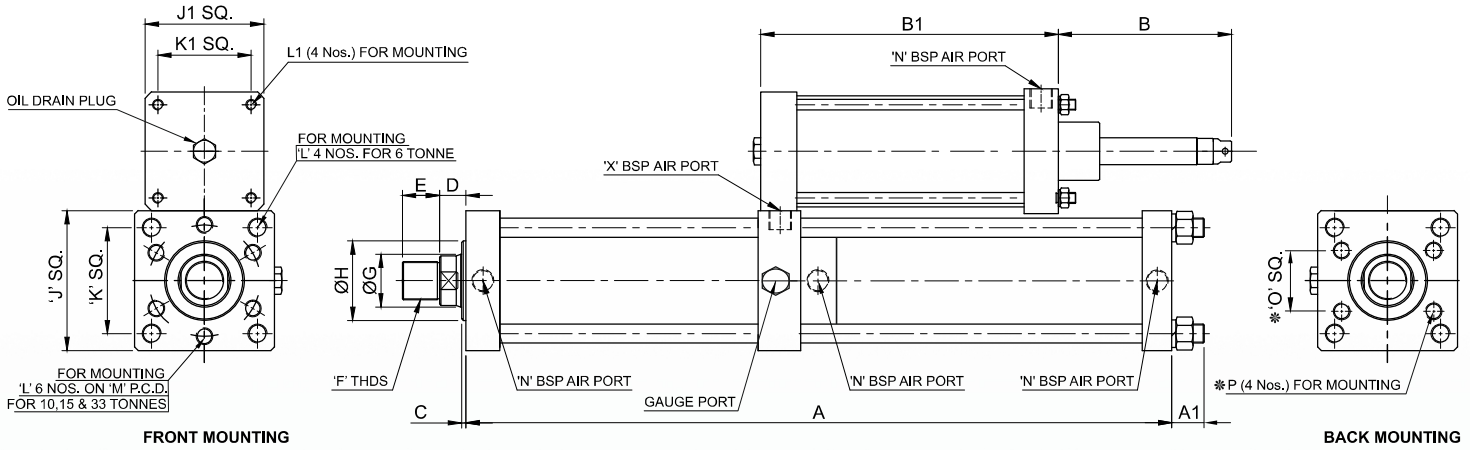


Mercury Pneumatics Pvt. Ltd.

C-105, Ansa Industrial Estate, Saki Vihar Rd, Andheri (E),
Mumbai - 400072. India. Phone: +91-22-40151020

E-mail: contactus@mercuryindia.net Website: www.mercuryindia.net

Technical Specification



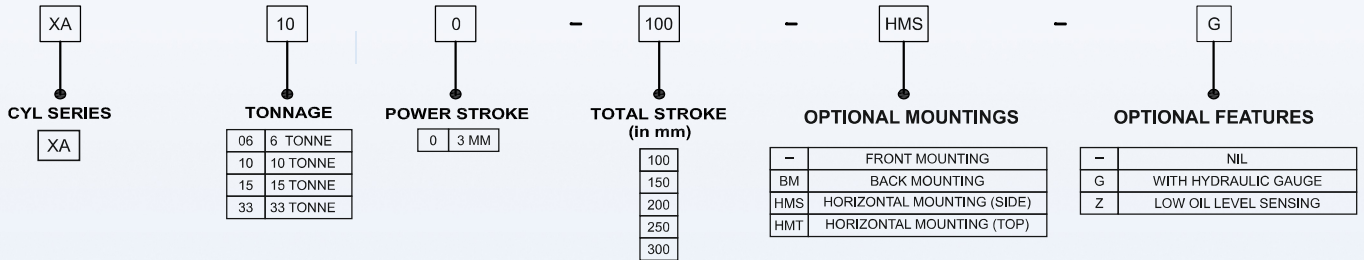
FRONT MOUNTING

BACK MOUNTING

MODEL NO.	TON	TOTAL STROKE	POWER STROKE	A	A1	B	B1	C	D	E	F	ØG	ØH	J SQ.	J1 SQ.	K SQ.	K1 SQ.	L	L1	M	N	*O SQ.	*P	X
XA060-100	6	100	3	434	23	195	241	4	22	35	M24 x 2.0	32	55	105	95	78	70.5	M16 x 2.0	M10 x 1.5	-	1/4"	55	M10 x 1.5	3/4"
XA060-150	6	150	3	484	23	255	301	4	22	35	M24 x 2.0	32	55	105	95	78	70.5	M16 x 2.0	M10 x 1.5	-	1/4"	55	M10 x 1.5	3/4"
XA060-200	6	200	3	534	23	315	361	4	22	35	M24 x 2.0	32	55	105	95	78	70.5	M16 x 2.0	M10 x 1.5	-	1/4"	55	M10 x 1.5	3/4"
XA060-250	6	250	3	584	23	375	421	4	22	35	M24 x 2.0	32	55	105	95	78	70.5	M16 x 2.0	M10 x 1.5	-	1/4"	55	M10 x 1.5	3/4"
XA060-300	6	300	3	634	23	435	481	4	22	35	M24 x 2.0	32	55	105	95	78	70.5	M16 x 2.0	M10 x 1.5	-	1/4"	55	M10 x 1.5	3/4"
XA100-150	10	150	3	502	31	235	288	4	25	35	M36 x 2.0	50	75	132	112	-	88	M16 x 2.0	M10 x 1.5	105	1/2"	60	M12 x 1.75	3/4"
XA100-200	10	200	3	552	31	295	348	4	25	35	M36 x 2.0	50	75	132	112	-	88	M16 x 2.0	M10 x 1.5	105	1/2"	60	M12 x 1.75	3/4"
XA100-250	10	250	3	602	31	355	408	4	25	35	M36 x 2.0	50	75	132	112	-	88	M16 x 2.0	M10 x 1.5	105	1/2"	60	M12 x 1.75	3/4"
XA100-300	10	300	3	652	31	415	468	4	25	35	M36 x 2.0	50	75	132	112	-	88	M16 x 2.0	M10 x 1.5	105	1/2"	60	M12 x 1.75	3/4"
XA150-150	15	150	3	530	36	297	365	4	24.5	35	M40 x 2.0	63	90	170	140	-	106	M20 x 2.5	M12 x 1.75	125	1/2"	100	M16 x 2.0	1"
XA150-200	15	200	3	580	36	372	440	4	24.5	35	M40 x 2.0	63	90	170	140	-	106	M20 x 2.5	M12 x 1.75	125	1/2"	100	M16 x 2.0	1"
XA150-250	15	250	3	630	36	447	515	4	24.5	35	M40 x 2.0	63	90	170	140	-	106	M20 x 2.5	M12 x 1.75	125	1/2"	100	M16 x 2.0	1"
XA150-300	15	300	3	680	36	522	590	4	24.5	35	M40 x 2.0	63	90	170	140	-	106	M20 x 2.5	M12 x 1.75	125	1/2"	100	M16 x 2.0	1"
XA330-200	33	200	3	658	44	270	403	4	26	40	M48 x 3.0	63	75	220	178.5	-	140	M30 x 3.5	M16 x 2.0	135	1/2"	100	M16 x 2.0	1"
XA330-250	33	250	3	708	44	330	463	4	26	40	M48 x 3.0	63	75	220	178.5	-	140	M30 x 3.5	M16 x 2.0	135	1/2"	100	M16 x 2.0	1"
XA330-300	33	300	3	758	44	390	523	4	26	40	M48 x 3.0	63	75	220	178.5	-	140	M30 x 3.5	M16 x 2.0	135	1/2"	100	M16 x 2.0	1"

* NOTE : 'O' SQ. & 'P' Only For Back Mounting (BM) type Cylinder

HOW TO ORDER



EXAMPLE : 10 Tonne Capacity, 3mm Power Stroke, 100mm Total Travel with Horizontal Reservoir Mounting From Side With Hydraulic Gauge
Model No. **XA100-100-HMS-G**

OTHER PRODUCTS FOR "PET" MOULDING MACHINES

PNEUMATIC CYLINDERS (Ø32 - Ø200)	CH SERIES CYLINDERS (Ø50 - Ø125)	COMBO CYLINDERS	VALVE REGULATOR ASSEMBLY
HIGH PRESSURE REGULATOR (1/2" & 1")	2/2 HIGH PRESSURE SOL. VALVE (External & Internal Pilot) (1/2", 3/4" & 1")	SERIES 'DP' DUAL PRESSURE VALVE (3/4")	SINGLE & DUAL BLOW SOLENOID VALVE (1/2" & 3/4")
CUSHION VALVE (3/4" & 1")	HIGH PRESSURE NRV (1/2", 3/4" & 1")	TUBINGS & FITTINGS	HIGH PRESSURE SILENCER (3/4", 1", 1 1/4" & 1 1/2")